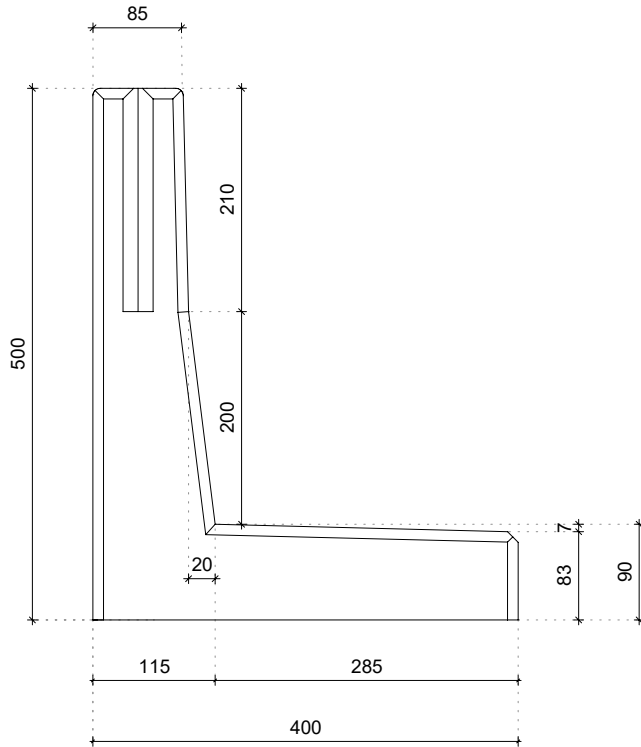


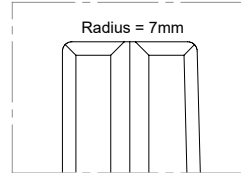
# TYPE L050

## Dimensions

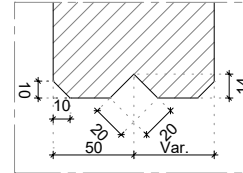


## Details

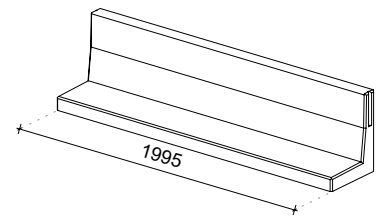
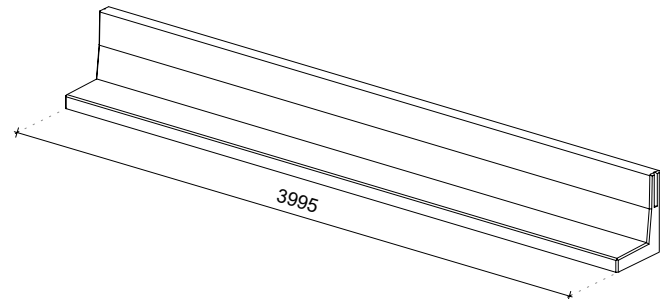
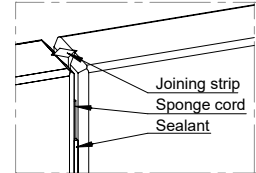
### Rounded top edge



### Groove for joining strip



### Element connection



## Technical details

Concrete quality	C60/75 (self-compacting high strength concrete)
Reinforcement steel	B500
Weight	690kg (L = 3995mm) / 345kg (L = 1995mm)
Concrete cover	30mm
Dimensional tolerance	+/- 5mm
Concrete surface finish	All visible sides class A (B1 on request)
Design life	50 years
Product warranty	10 years
Environmental class	XA3, XC4, XD3, XS3, XF4
Hoisting device	None, to be placed with clamp

## Constructed according to

EN 1990 Eurocode 0	EN 206-1
EN 1991 Eurocode 1	Incl. national addendums
EN 1992 Eurocode 2	
EN 1997 Eurocode 7	

## Produced method



Energy neutral



Filtered rainwater



Sustainable raw materials



Recyclable materials

## Certification

