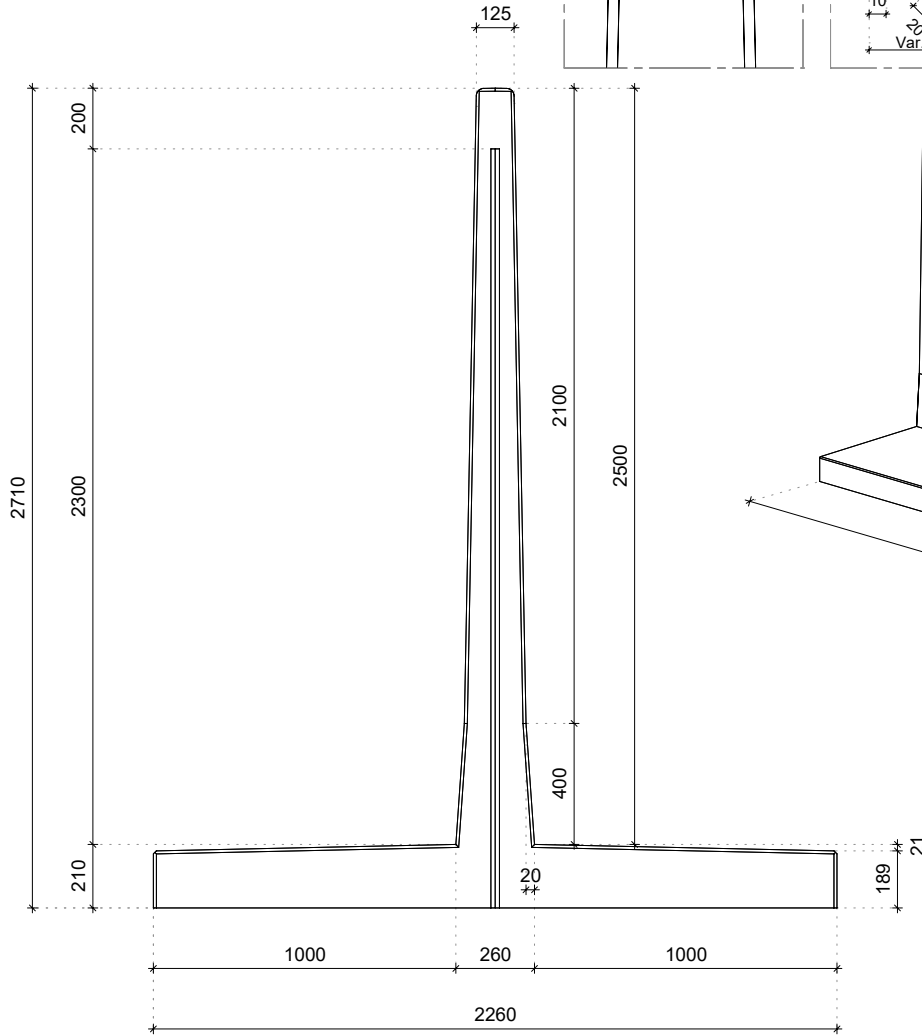


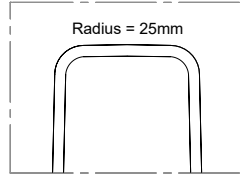
TYPE TWA250

Dimensions

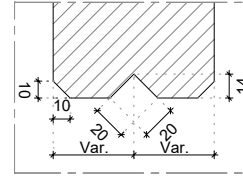


Details

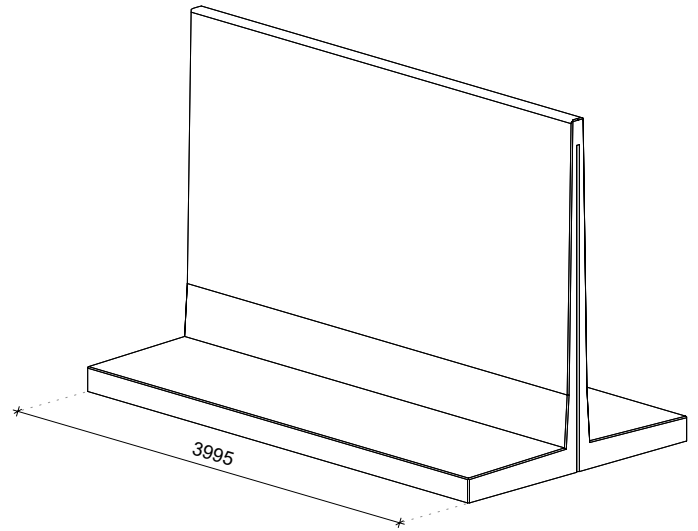
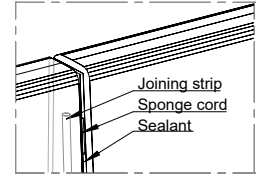
Rounded top edge



Groove for joining strip



Element connection



Technical details

| | |
|-------------------------|---|
| Concrete mixture | 2nd Generation self-compacting C60/75 |
| Reinforcement steel | B500 |
| Weight | 8410kg (L = 3995mm) |
| Concrete cover | 30mm |
| Dimensional tolerance | +/- 5mm |
| Concrete surface finish | All visible sides class A (B1 on request) |
| Design life | 50 years |
| Product warranty | 20 years |
| Environmental class | XA3, XC4, XD3, XS3, XF4 |
| Hoisting device | None, to be placed with clamp |

Constructed according to

| | |
|--------------------|--------------------------|
| EN 1990 Eurocode 0 | EN 206 |
| EN 1991 Eurocode 1 | Incl. national addendums |
| EN 1992 Eurocode 2 | |
| EN 1997 Eurocode 7 | |

Produced method



Energy neutral



Filtered rainwater



Sustainable raw materials



Recyclable materials

Certification

