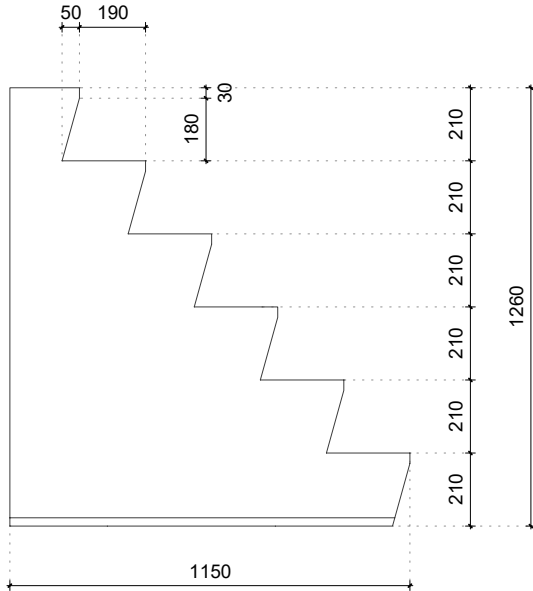


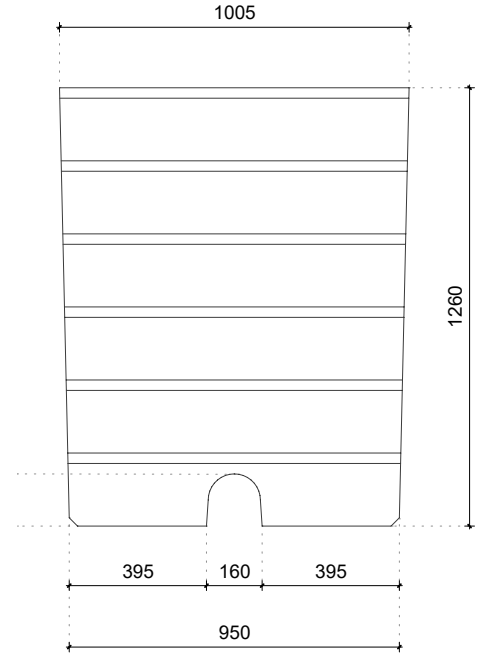
TYPE TRAPU175

Dimensions

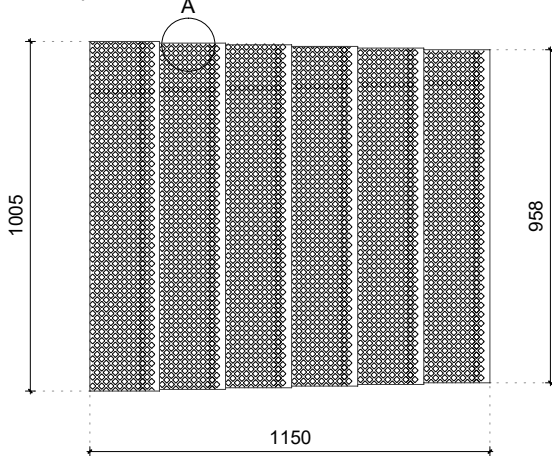
Side view



Front view

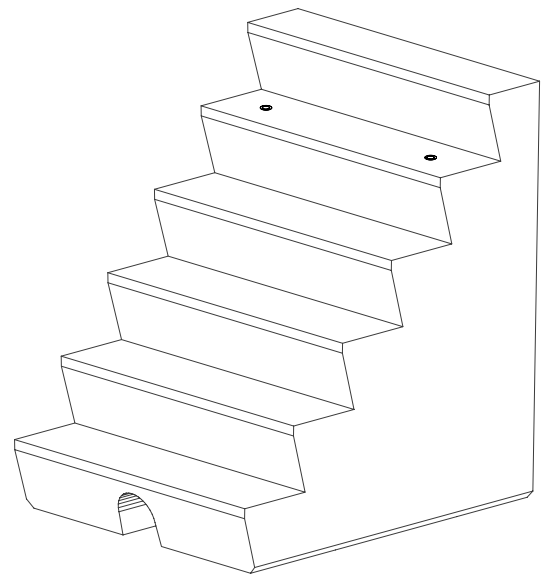
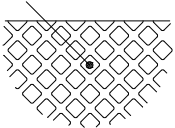


Top view



Detail A

Anti-slip 0,3mm high



Technical details

Concrete mixture	2nd generation self-compacting C60/67
Weight	1805kg
Dimensional tolerance	+/- 5mm
Environmental class	XA3
Hoisting device	Ball head ancor 2 x 5 Tonnen

Produced method



Energy neutral



Filtered rainwater



Sustainable raw materials



Recyclable materials

Certification

