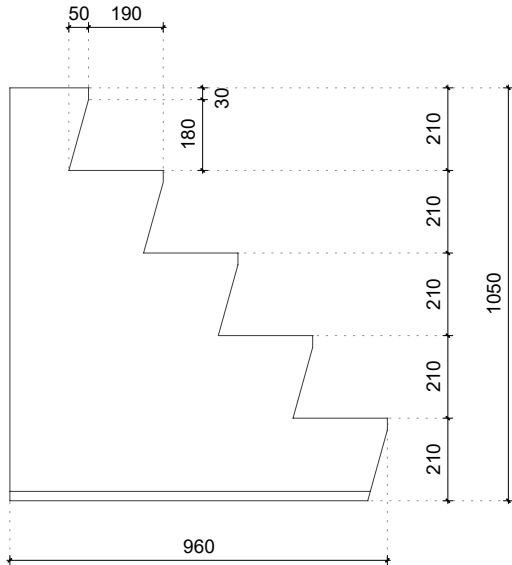


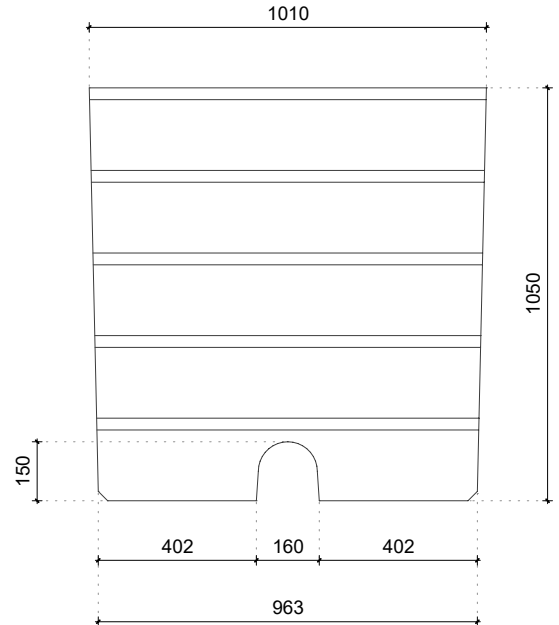
# TYPE TRAPU150

## Dimensions

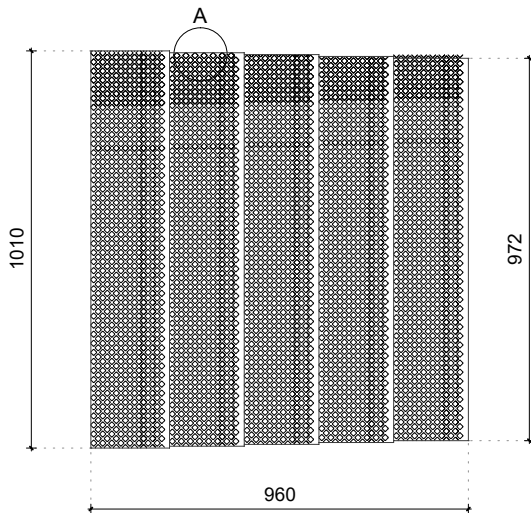
Side view



Front view

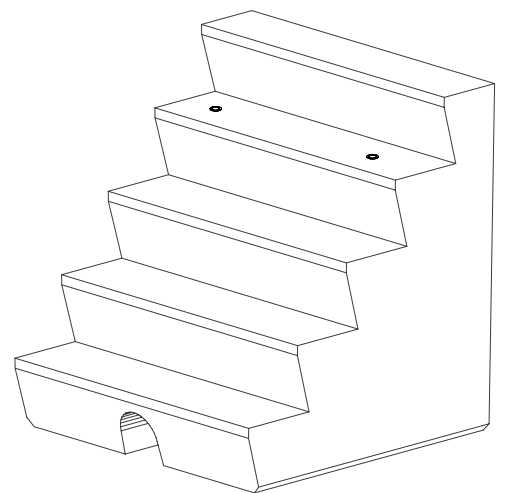
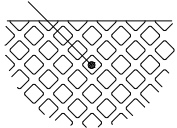


Top view



### Detail A

Anti-slip 0,3mm high



## Technical details

Concrete mixture	2nd generation self-compacting C60/67
Weight	1300kg
Dimensional tolerance	+/- 5mm
Environmental class	XA3
Hoisting device	Ball head ancor 2 x 5 Tonnen

## Produced method



Energy neutral



Filtered rainwater



Sustainable raw materials



Recyclable materials

## Certification

