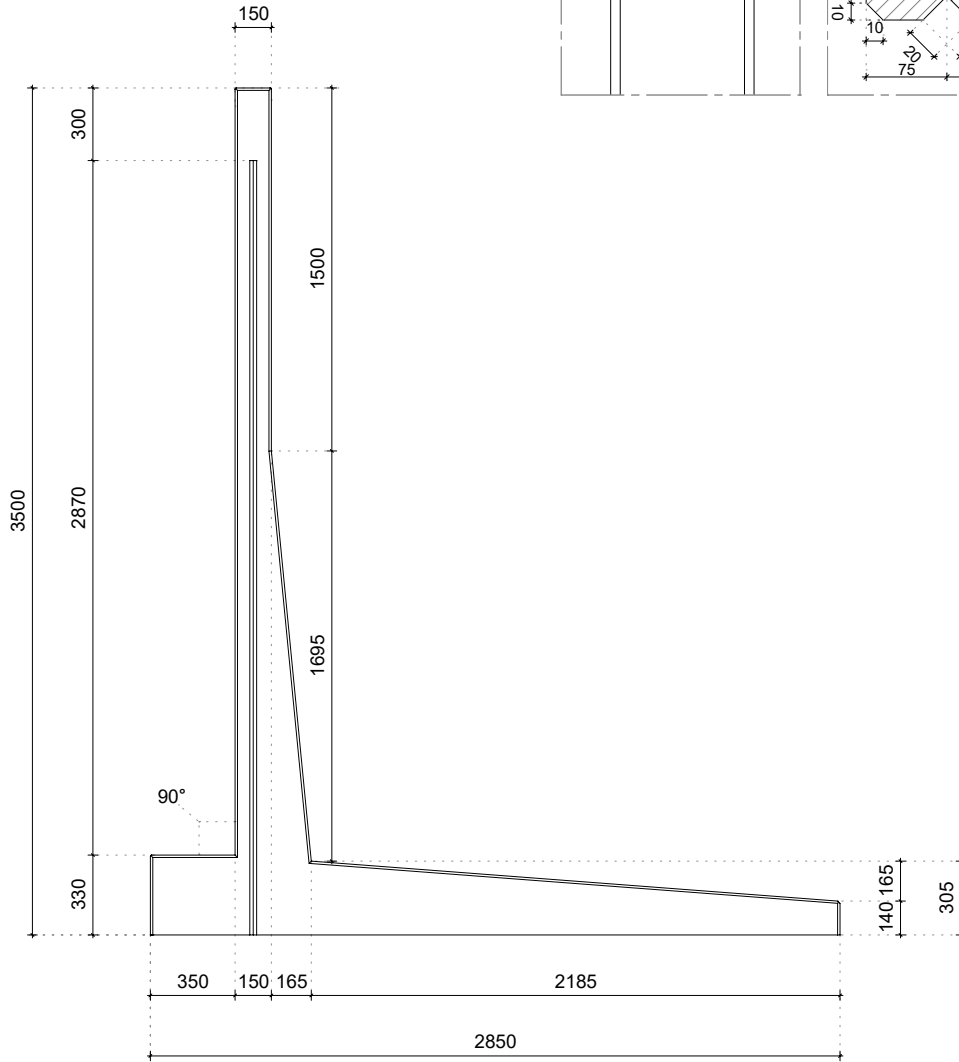


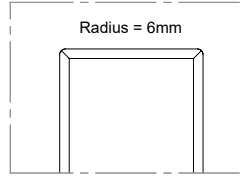
# TYPE LR350200H

## Dimensions

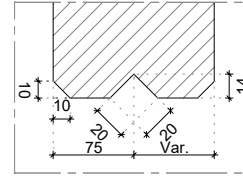


## Details

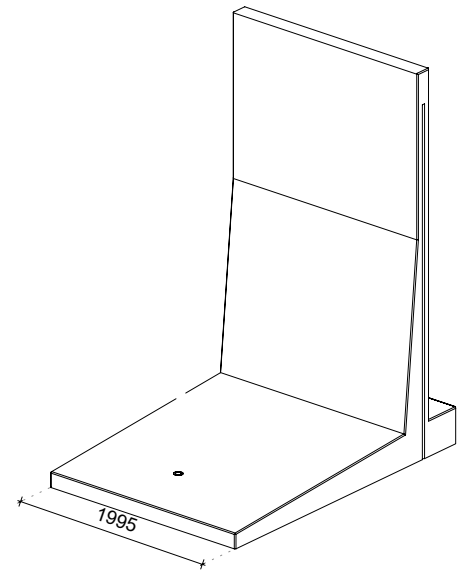
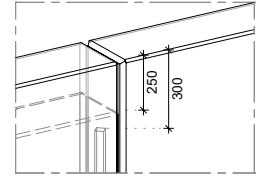
Rounded top edge



Groove for joining strip



Element connection



### Technical details

Concrete mixture	2nd Generation self-compacting C60/75
Reinforcement steel	B500
Weight	6423kg (L = 1995mm)
Concrete cover	45mm
Dimensional tolerance	+/- 5mm
Concrete surface finish	All visible sides class A (B1 on request)
Design life	100 years
Product warranty	10 years
Environmental class	XA3, XC4, XD3, XS3, XF4
Hoisting device	Ball head anchor 7,5 tons

### Constructed according to

EN 1990 Eurocode 0	EN 206
EN 1991 Eurocode 1	Incl. national addendums
EN 1992 Eurocode 2	
EN 1997 Eurocode 7	

### Produced method



Energy neutral



Filtered rainwater



Sustainable raw materials



Recyclable materials

### Certification

